



Modular SiC Power Platform

AC & DC Test Systems



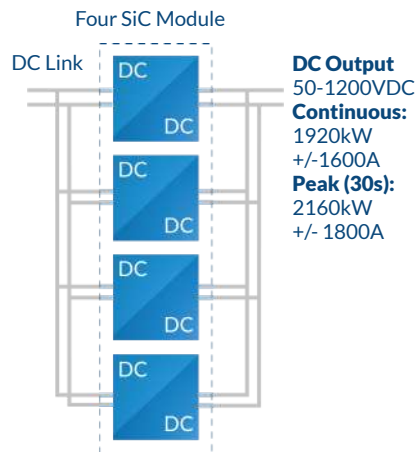
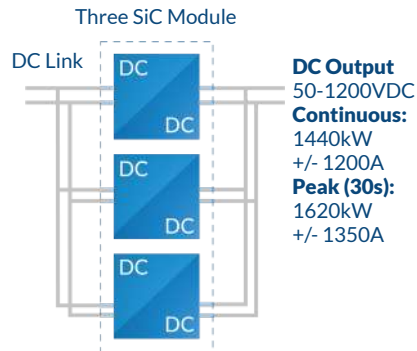
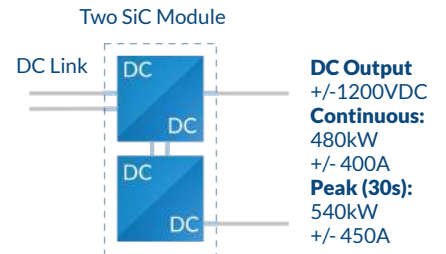
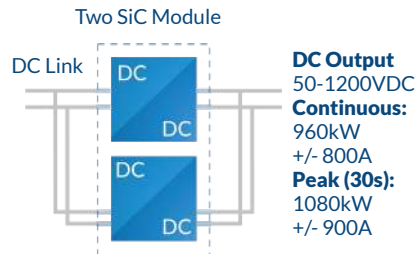
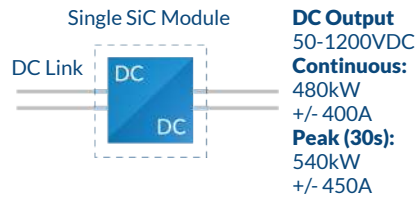
Modular AC and DC SiC Power Modules

Silicon Carbide Power Platform

Unico's new SiC power platform can help take your EV propulsion development to new levels. The modular concept uses the same SiC power modules for both AC and DC testing and control applications.

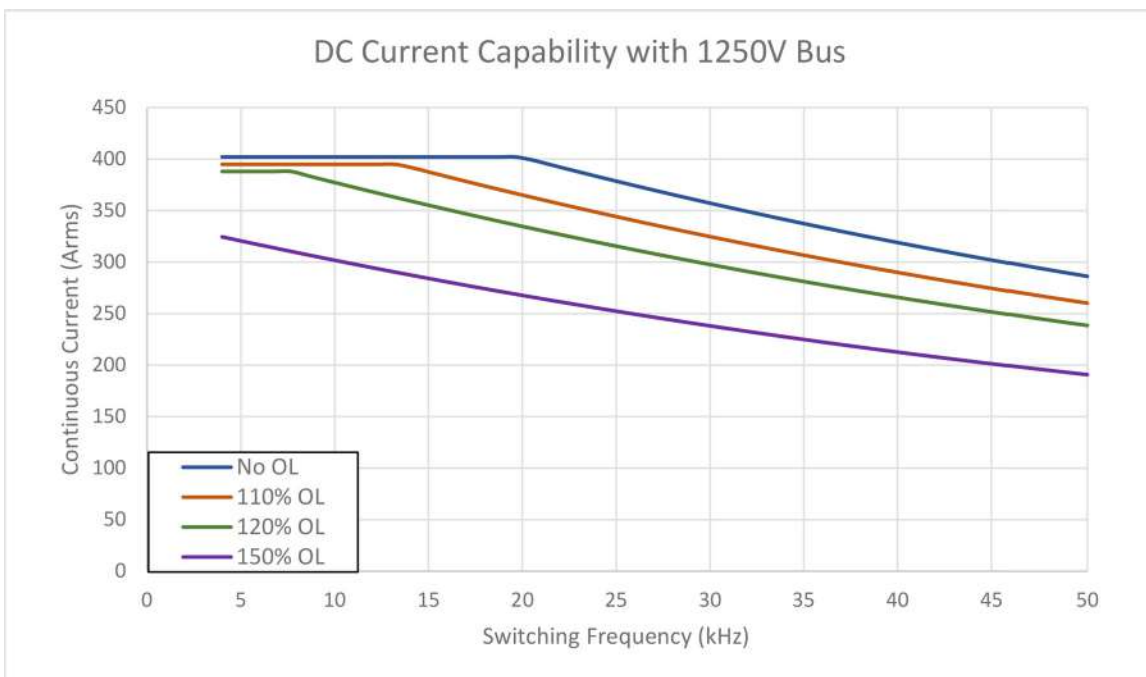
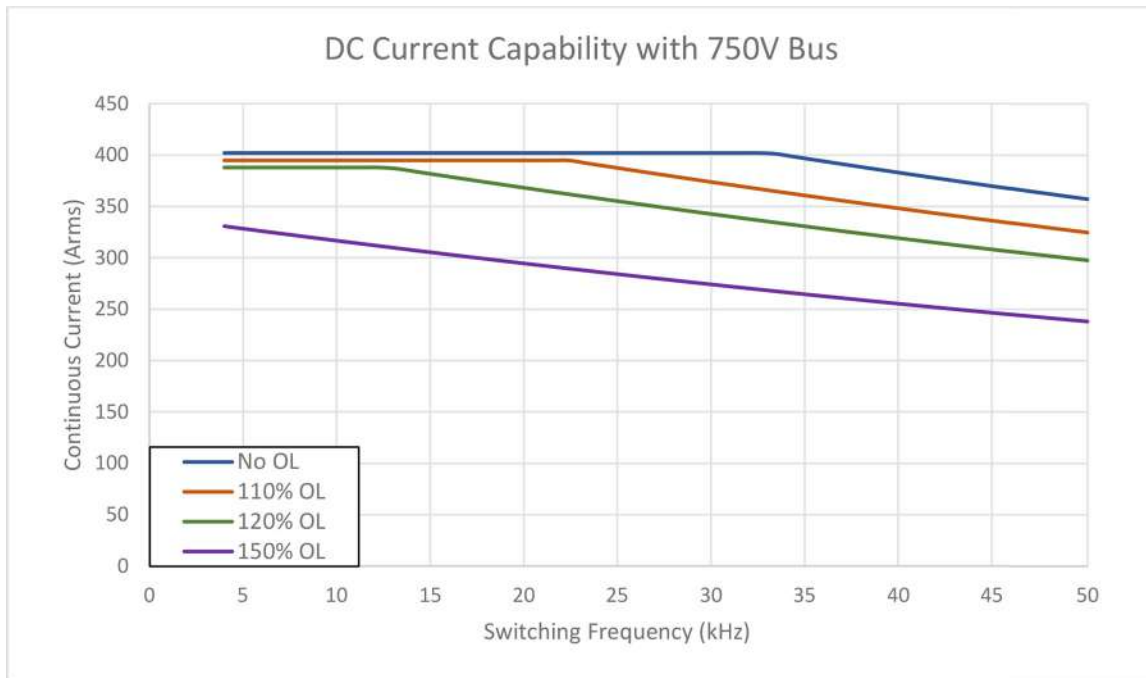
For AC applications, use these high performance SiC modules as high performance dyno drives, universal inverters, e-motor emulators, or for other high performance applications. As a high performance DC source, the modules can operate as scalable battery test systems or battery emulators up to 1200VDC.

Sample Standard DC Configurations

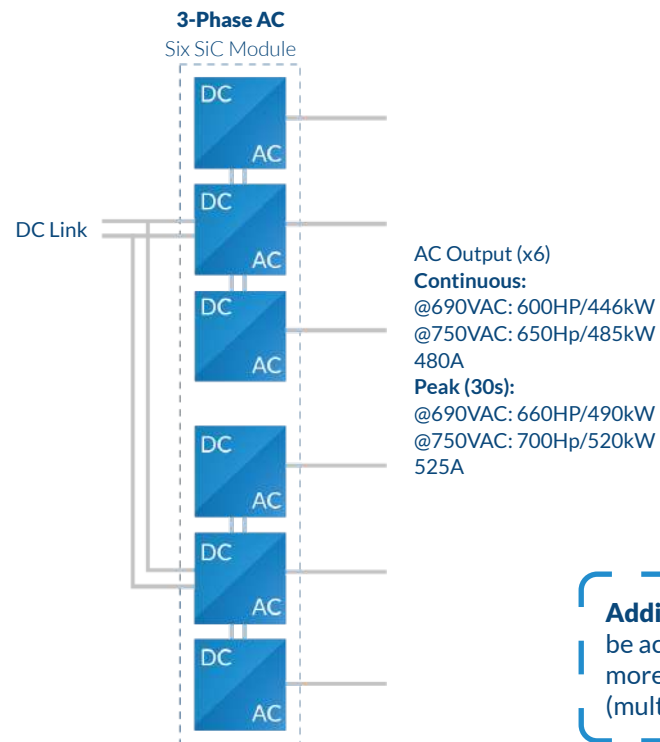
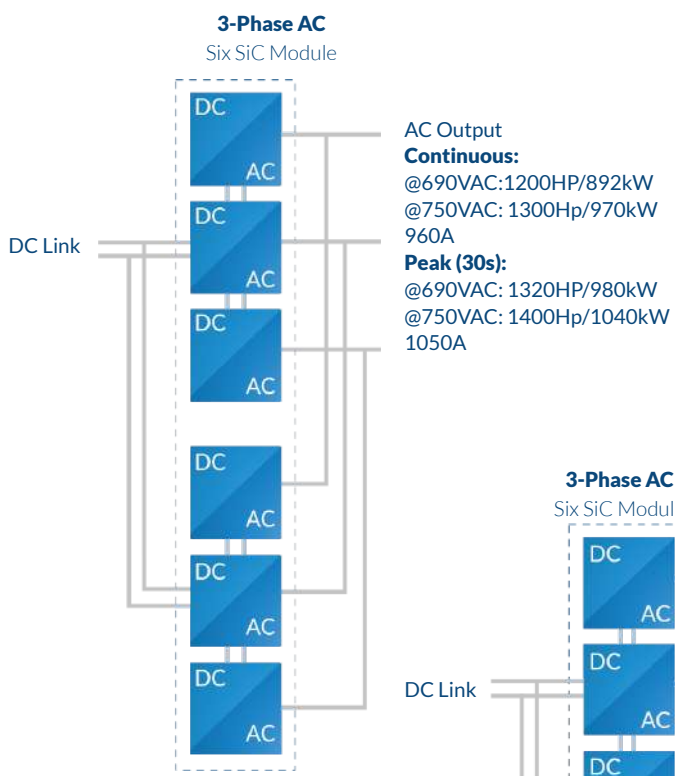
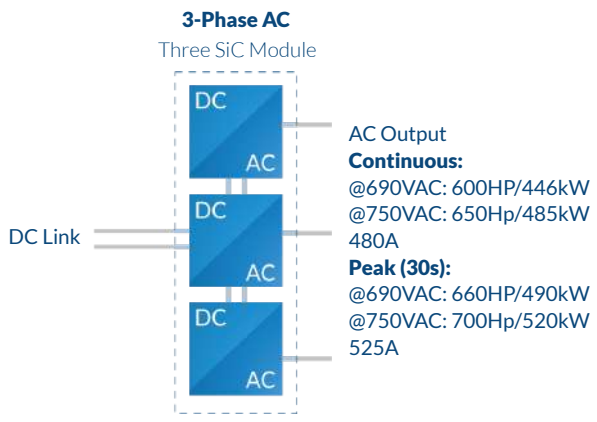


DC-Configuration De-Rating Curves

The following De-Rating Curves are based on a 20°C Cooling supply.



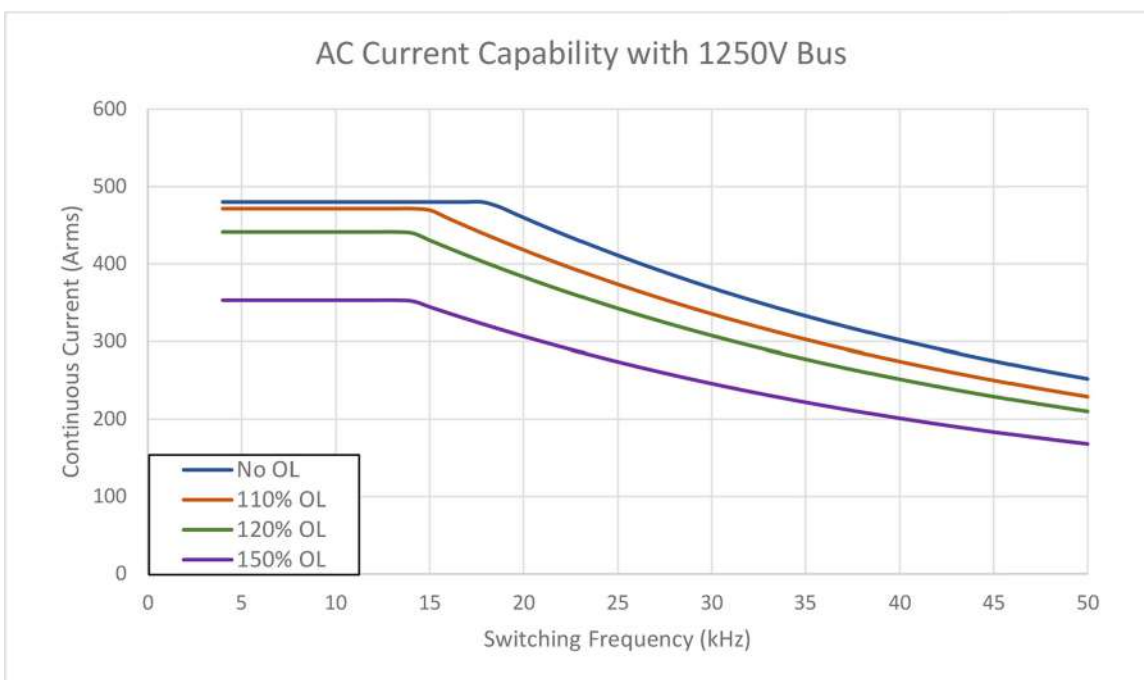
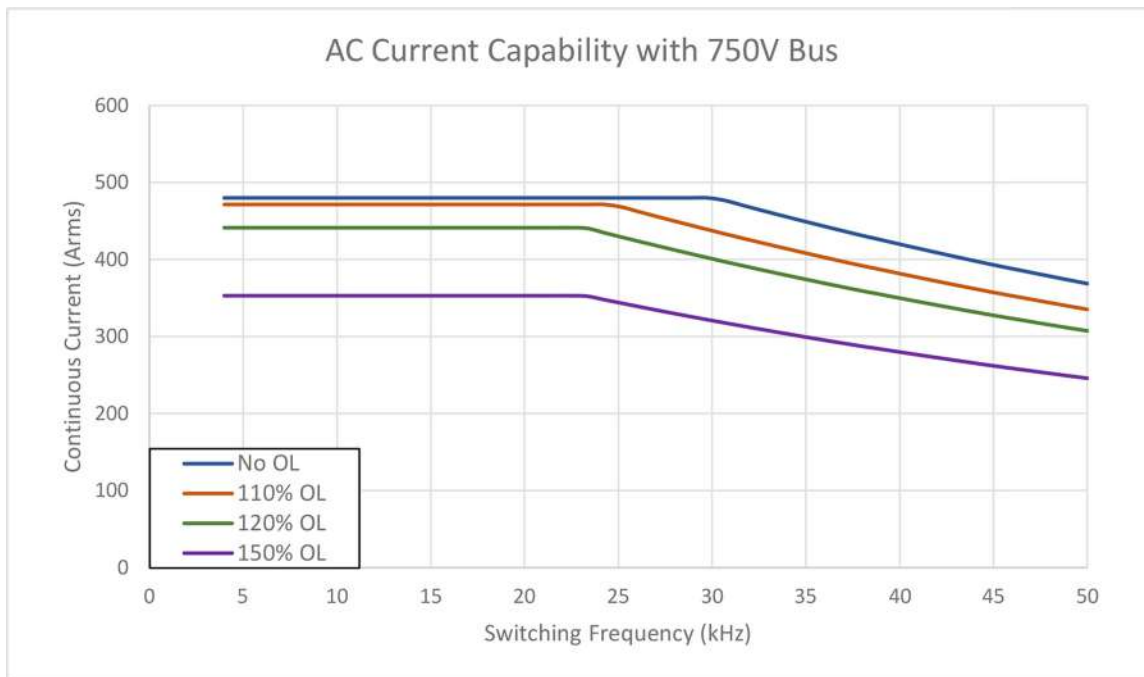
Sample Standard AC Configurations



Additional power can be achieved with 9, 12, or more SiC AC Modules (multiples of 3)

AC-Configuration De-Rating Curves

The following De-Rating Curves are based on a 20°C Cooling supply.



Applications

- Battery Testing and Emulation
- Fuel Cell or Super Capacitor Testing and Emulation
- DC Charger Testing and Emulation
- Other DC testing or Emulation applications
- High Speed Dynamometer Control
- Universal Inverter for E-Motor Control
- E-Motor Emulation
- Grid Emulation
- Other high-performance AC control applications

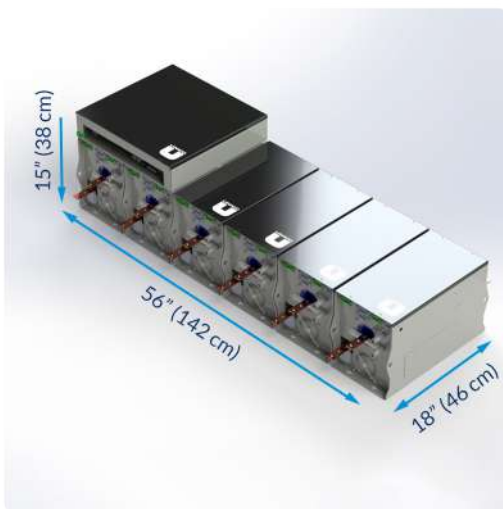
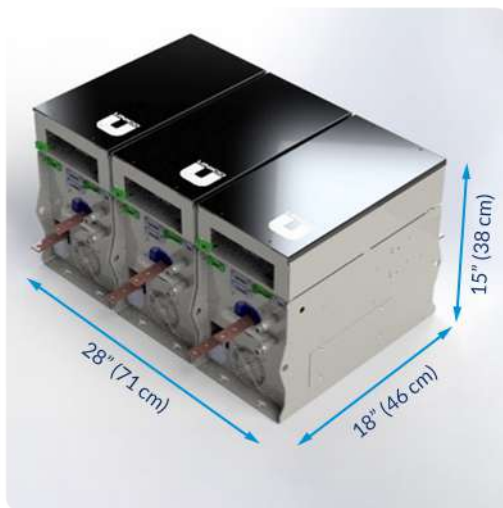


Features

- High-efficiency, fully regenerative current source and sink capability
- Shared DC bus for combined AC/DC applications
- Optimized output filter based on the application
- Numerous power sizes can be achieved by paralleling systems for even more power
- Supports most industry standard communication protocols, making it versatile to work with any available automation system platform
- Multiple programmable and preset safety features
- Higher voltage, current, power possible by connecting units in series and/or parallel
- Half bridge and full bridge configurations available depending on low voltage or 0-volt operation and performance requirements



General Dimensions



Preliminary Performance Specifications Available upon Request



UNITED STATES

CORPORATE HEADQUARTERS
3725 Nicholson Rd. P. O. Box 0505
Franksville, WI 53126-0505
(262) 886-5678

UNITED KINGDOM

Unico (UK) Ltd.
Garamonde Drive Wymbush,
Milton Keynes MK8 8LF
+44.1908.260000

GERMANY

Unico Deutschland GmbH
Dortmunder Straße 7
D-57234 Wilnsdorf
+49.2739.303.0

CANADA

1515 Matheson Blvd, East
Unit # B5
Mississauga, Ontario
L4W 2P5
Canada
(905) 602-4677

COLOMBIA

Centro Empresarial Metropolitano
KM. 3.4, Calle 80-Vía Siberia-Cota.
Modulo 1, Bodega 6
+(57-1)-7469550/7469569
+57 -3173650663

AUSTRALIA

(Manufacturing, Engineering,
Sales And Service)
Unit 3, 553 Boundary Road
Darra, Queensland 4076
+61.7.3713.7830
+61(0)439.700.548

FRANCE

2 Avenue De La République
Saint Piat, 28130
+33 6 16 83 86 66

